

**LARGE, TYPE 1**

**INDUSTRY STANDARDS**

 UL 50, 50E Listed; Type 1; File No. E27567  
 cUL Listed per CSA C22.2 No 40; Type 1; File No. E27567

 NEMA/EEMAC Type 1  
 CSA, File 42184: Type 1  
 IEC 60529, IP30

**APPLICATION**

These enclosures have a size range of 42 x 30 x 9-in. to 48 x 36 x 17-in. and meet basic functionality requirements for applications that do not require oil- or dust-tight enclosures.

**FEATURES**

- Continuous hinge on door
- Slotted flush latch; optional latches available
- Collar studs provided for mounting optional panels
- Mounting holes on back of enclosure; optional mounting bracket kit is available (AMFLN1)

**SPECIFICATIONS**

- 14 gauge steel

**FINISH**

ANSI 61 gray polyester powder paint finish inside and out over pretreated surfaces. Optional panels are white.

**ACCESSORIES**
*See also Accessories.*

T-Handle Latch and Keyed Cylinder Lock Kit

Electric Heater

Electrical Interlocks

Grounding Device

Panels for Medium Type 1 Enclosures

Junction Box and Wall-Mount Enclosure Swing Out Panel Kit

Terminal Block Kit Assembly for Junction Boxes Overview

Touch-Up Paint

Steel and Stainless Steel Window Kits

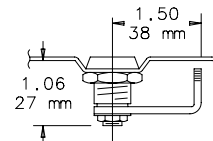
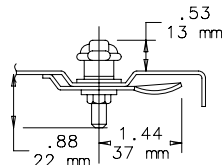
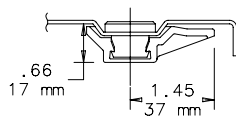
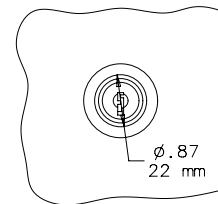
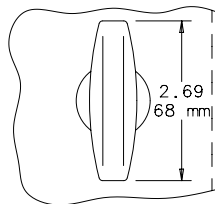
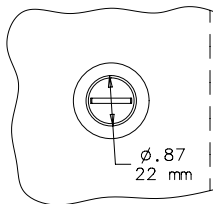
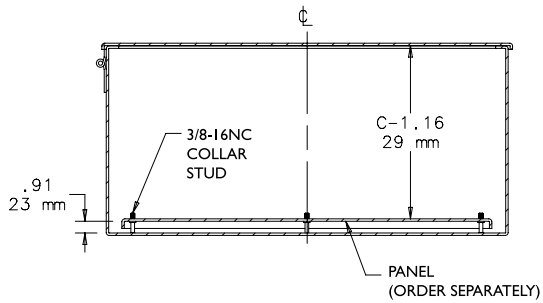
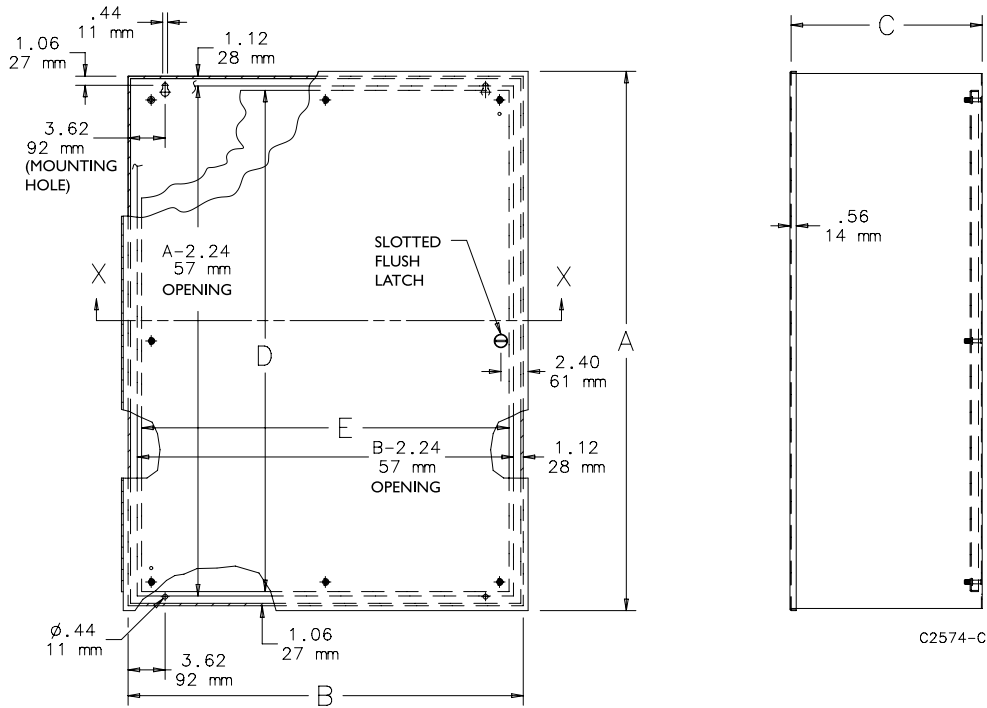
**BULLETIN: A1L**

## Standard Product

Catalog Number	AxBxC in./mm	Panel	Panel Size D x E in./mm	Mounting Bracket Kit
A42N3009	42.00 x 30.00 x 9.25 1067 x 762 x 235	A42P30	39.00 x 27.00 991 x 686	AMFLN1
A42N3609	42.00 x 36.00 x 9.25 1067 x 914 x 235	A42P36	39.00 x 33.00 991 x 838	AMFLN1
A48N3609	48.00 x 36.00 x 9.25 1219 x 914 x 235	A48P36	45.00 x 33.00 1143 x 838	AMFLN1
A48N3611	48.00 x 36.00 x 11.00 1219 x 914 x 279	A48P36	45.00 x 33.00 1143 x 838	AMFLN1
A42N3013	42.00 x 30.00 x 13.25 1067 x 762 x 337	A42P30	39.00 x 27.00 991 x 686	AMFLN1
A42N3613	42.00 x 36.00 x 13.25 1067 x 914 x 337	A42P36	39.00 x 33.00 991 x 838	AMFLN1
A48N3613	48.00 x 36.00 x 13.25 1219 x 914 x 337	A48P36	45.00 x 33.00 1143 x 838	AMFLN1
A48N3617	48.00 x 36.00 x 17.00 1219 x 914 x 432	A48P36	45.00 x 33.00 1143 x 838	AMFLN1

Purchase panels separately. Optional aluminum panels are available for most sizes.

Mounting Bracket Kit must be ordered separately.



Standard Slotted  
Flush Latch

"T" Handle Latch Kit  
AL7A (optional)

Cylinder Lock Kit  
AL12AR (optional)